

DESCRIPTION

Headrail Braced (HRB) pilaster mounting style consists of a stainless “L” plate attached to the floor. The pilaster is positioned into the inside of the “L” plate and a four sided shoe is wrapped around both the pilaster and “L” plate. Once located, screws are used to connect the assembly and keep the floor connection stable and immovable. The top of the pilaster is capped with an aluminum headrail extrusion which is anchored to a wall. The headrail is secured to the pilaster with screws. All Element series materials are compatible with this mounting style.

CONSIDERATIONS

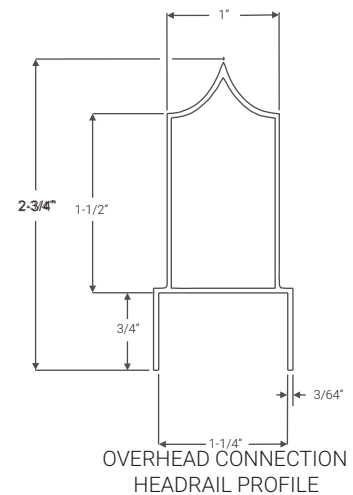
Is the least expensive and most stable mounting system.

Recommended for all rooms. Ceiling heights below 7'-1" may require modification.

Component length and travel path should be considered.

Two inch floor penetration is required. Post tension floors and radiant heating systems should be considered before specifying.

Secure backing is required at all wall connections.



CONSTRUCTION

Overhead: extruded, aluminum headrail, clear anodized.

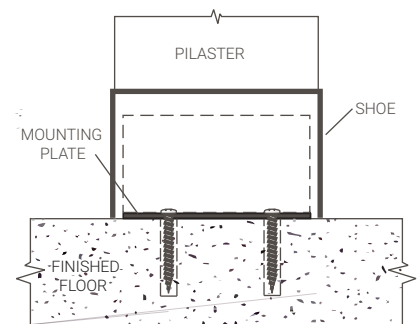
Backing: wood or equivalent located with no space between finished wall.

Floor: 2 inch penetration into finished floor.

Fasteners: square drive, pan head, grade 18-8 stainless steel.

Plate: 18 gauge type 304 stainless steel L bracket. 2-3/4 inch (70 mm) in height. Width varies by material.

Shoes: 22 gauge ASTM A-167, type 304 stainless steel with a number 4 satin (brushed) finish, not less than 3 inches (76 mm) in height.



DIMENSIONS

Pilasters - Standard Widths - All Materials																
Pilaster - Inch	3	4	5	6	7	8	9	10	12	14	16	18	20	22	24	30
Pilaster - mm	76	102	127	152	178	203	229	254	305	356	406	457	508	559	610	762
L Mounting Plate - Inch	2	3	4	5	6	7	8	9	11	13	15	17	19	21	23	29
L Mounting Plate - mm	51	76	102	127	152	178	203	229	279	330	381	432	483	533	584	737

Pilaster Thickness By Material	Inch	mm
High Pressure Laminate	1.25	32
Wood Veneer	1.25	32
Compact Laminate (stile/rail door)	1.0	25
Compact Laminate (Slab door)	0.75	19