

DESCRIPTION

Floor to Ceiling (FTC) pilaster mounting style consists of a stainless “L” plate attached to both the floor and the ceiling. The pilaster is positioned inside the “L” plate and four sided shoes are wrapped around both the pilaster and “L” plate. Once located, screws are used to connect the assembly and keep both the ceiling and floor connections stable and immovable. All Element series materials are compatible with this mounting style.

CONSIDERATIONS

Recommended for rooms with ceiling heights of less than ten feet.

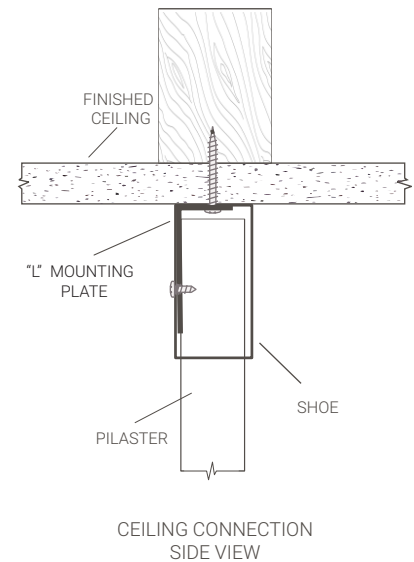
Two inch floor penetration is required. Post tension floors and radiant heating systems should be considered before specifying.

Components without perpendicular support will flex based on material elasticity.

Component length and travel path should be considered.

This mounting system is compatible with all Ironwood Element series options (doors, hardware, materials, etc.).

Secure backing is required above the ceiling and is not recommended for use with suspended ceilings.



CONSTRUCTION

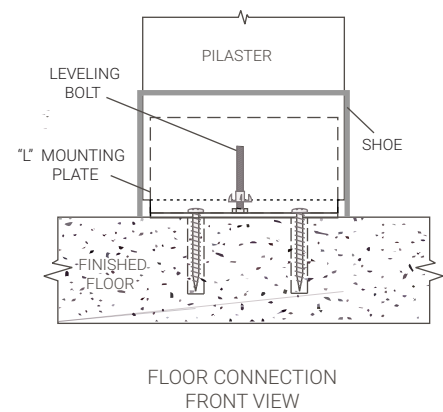
Shoes: 22 gauge ASTM A-167, type 304 stainless steel with a number 4 satin (brushed) finish, not less than 3 inches (76 mm) in height.

Plate: 18 gauge type 304 stainless steel L bracket. 2-3/4 inch (70 mm) in height. Width varies by material.

Fasteners: square drive, pan head, grade 18-8 stainless steel.

Floor: 2 inch penetration into finished floor.

Ceiling: wood backing or equivalent located with no space between finished ceiling.



DIMENSIONS

Pilasters - Standard Widths - All Materials																
Pilaster - Inch	3	4	5	6	7	8	9	10	12	14	16	18	20	22	24	30
Pilaster - mm	76	102	127	152	178	203	229	254	305	356	406	457	508	559	610	762
L Mounting Plate - Inch	2	3	4	5	6	7	8	9	11	13	15	17	19	21	23	29
L Mounting Plate - mm	51	76	102	127	152	178	203	229	279	330	381	432	483	533	584	737

Pilaster Thickness By Material	Inch	mm
High Pressure Laminate	1.25	32
Wood Veneer	1.25	32
Compact Laminate (stile/rail door)	1.0	25
Compact Laminate (Slab door)	0.75	19