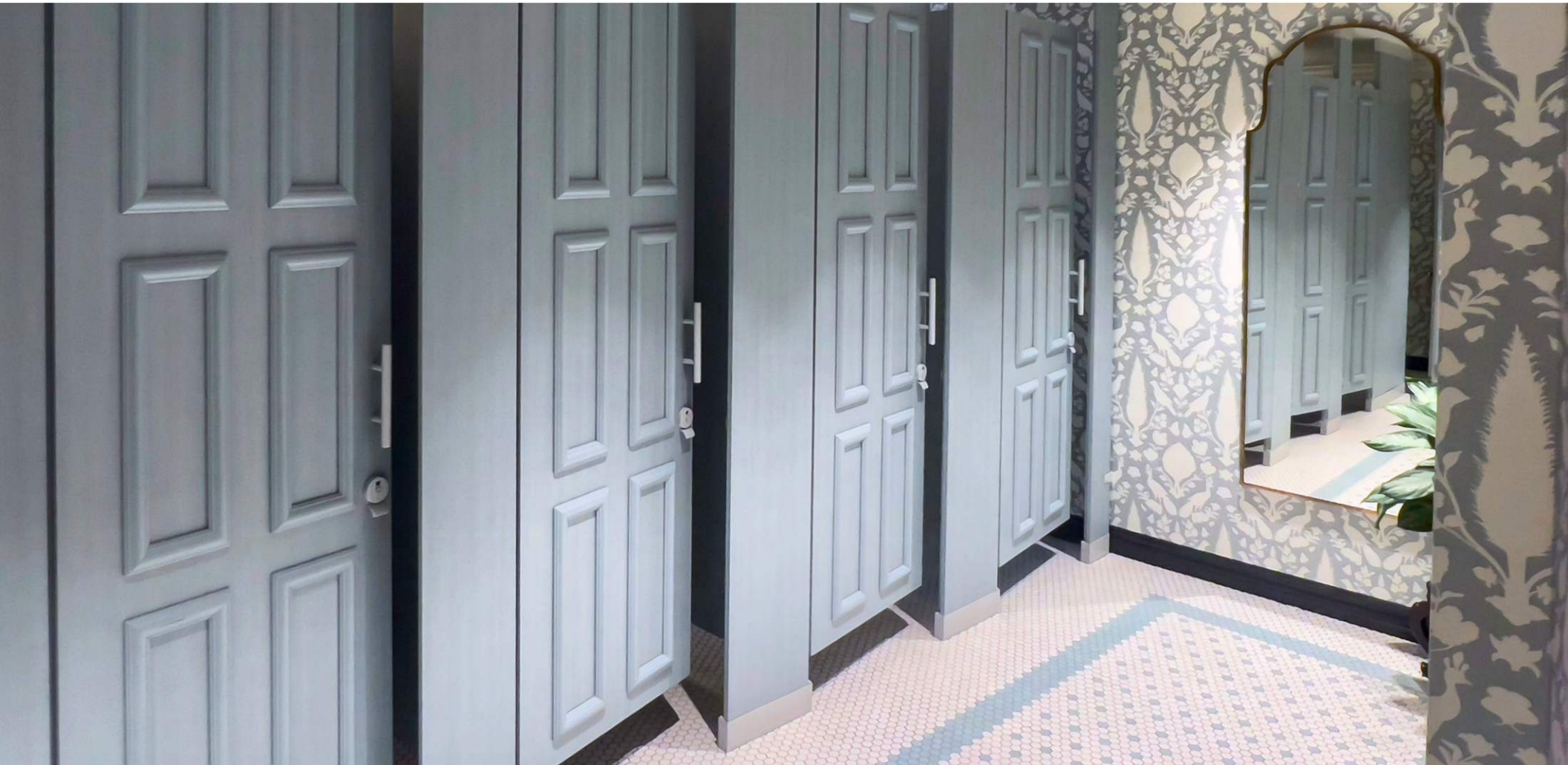




ironwood

BEAUTIFUL PARTITIONS FOR ELEGANT RESTROOM DESIGN





WHERE INNOVATION MEETS CRAFTSMANSHIP

Zero Sightline Privacy

- Eliminates space between doors and pilasters
- Compatible with all standard materials
- Enhances user comfort with overlap design and privacy

Material Options

- High Pressure Laminate, Wood Veneer, Compact Laminate (Phenolic), Engineered Stone & Solid Surface
- Custom options available based on project requirements and material sourcing

Customization

- **Door Styles**
 - Louver, Engraving, Door Lite, Moldings, Captured Panel, Flat Panel, Inlay
- **Oversized**
 - Extended options include oversized doors, minimized gaps, and floor-to-ceiling coverage for maximum privacy
- **Hardware**
 - Commercial-grade stainless steel standard
 - ADA compliant options
 - Powder coating availability offers substantial color possibilities

Edgebanding

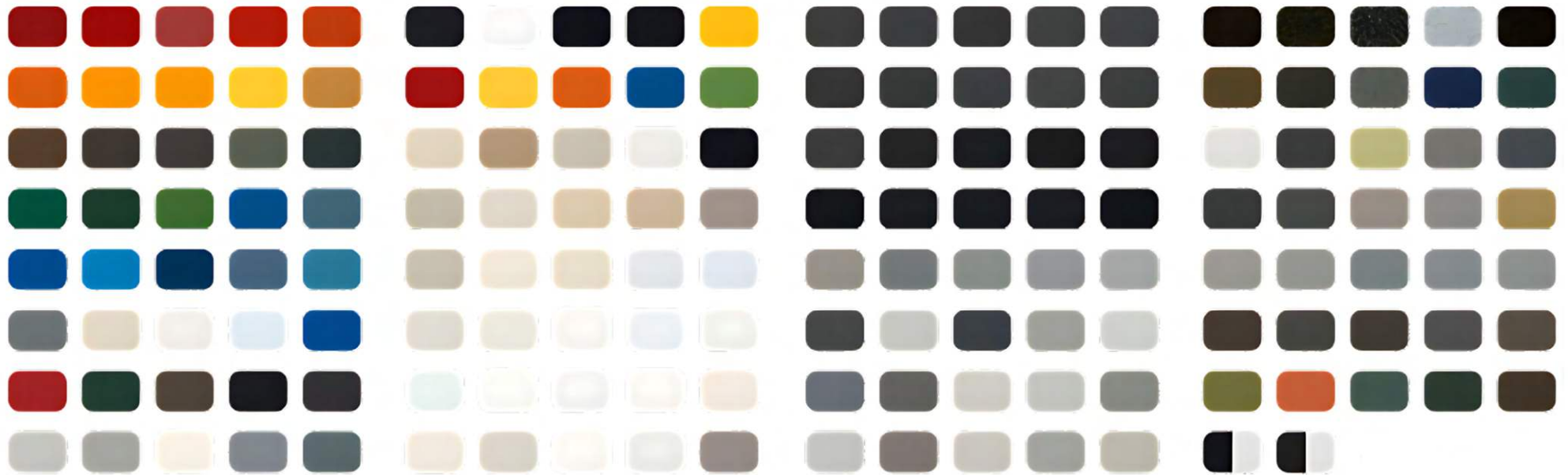
- **Superior Aesthetics:** While other manufacturers offer components with black core on Compact Laminate edges, HeH delivers a cleaner look that creates a sophisticated finish.
- **Proven Performance:** The durable edgebanding protects against moisture absorption and wear.

ZERO SIGHTLINE

Zero Sightline provides tailored connections between doors and pilasters through lap joints, ensuring optimal privacy. While many manufacturers can replicate this feature in Compact Laminate, Ironwood stands out with its unique ability to deliver Zero Sightline without extrusions in High Pressure Laminate (Phenolic) and Wood Veneers. The carefully crafted overlapping joints ensure visual privacy while maintaining clean, modern aesthetics. This approach combines reliable functionality with refined appearance, creating a thoughtful restroom experience for commercial spaces that meets both privacy and design needs.

POWDER COATED HARDWARE

Elevate your design with customizable powder coated hardware. Select from an expansive spectrum of elegant finishes - from metallic options to rich solid colors across almost every shade. Multiple finish options ensure design flexibility while maintaining superior protection against daily wear. From subtle neutrals to bold statement colors, each finish is precision-applied to achieve the perfect look for your project requirements, enhancing both aesthetics and longevity.

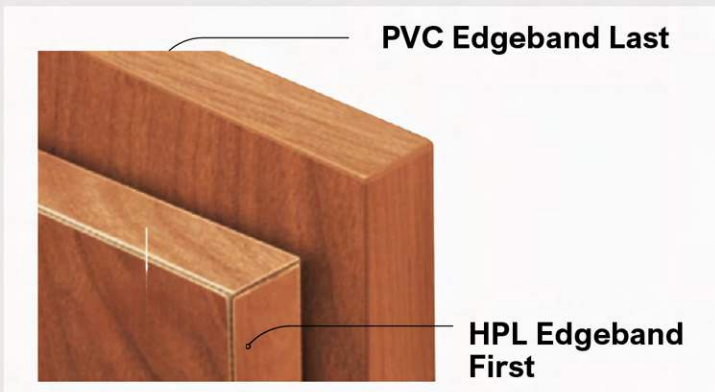


EDGE BANDING



HeH Edgebanding

HeH edgebanding is a specialized finishing solution designed specifically for compact laminate panels to create a elegant and durable finished edge. This innovative edge treatment underscores a commitment to combining exceptional performance with striking design.



Edgeband Last

Edge Band Last allows for advanced adhesives and PVC edgebanding, creating a superior seal against moisture and improving overall durability. It eliminates visible black edges, delivering a cleaner, more professional aesthetic.



Zero Sightline Edgebanding

Zero Sightline edgebanding can be applied to all materials, offering both aesthetic and functional benefits. By eliminating visible transitions between the edgebanding and panel surface, it creates a polished and unified look that enhances the overall design.



WOOD VENEER

Wood Veneer offers a material that bridges natural elegance with functional performance. Poly-backed faces allow for the veneers to be made suitable for a bathroom environment. Each component is customized to exact specifications, and verified through a detailed quality control process.

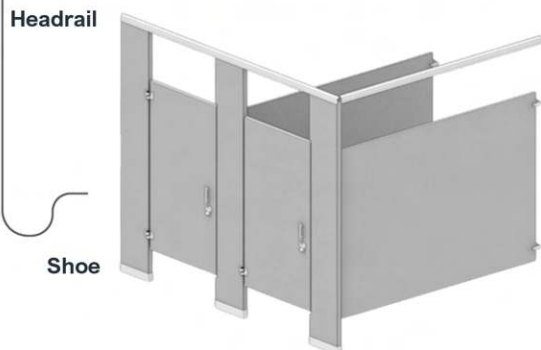
Stocked veneer options include Rift Cut White Oak, Flat Cut White Oak and Flat Cut Walnut, with access to virtually any commercially available species.

INSTALLATION TYPES



Head Rail Braced

When your commercial restroom design requires durability, cost-effectiveness, and adaptability, headrail braced provides the support you need with customizable options.



Floor to Ceiling

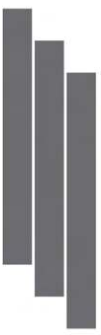
Floor to ceiling partitions offer stability and durability in restrooms with low to medium height ceilings. Minimal visible hardware also enables clean design.



All Gender

All gender restroom partitions offer high privacy and flexibility, ensuring comfort for all users while meeting modern design standards.

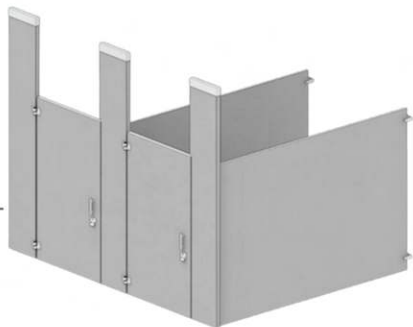




Ceiling Hung

Ceiling hung partitions offer commercial restrooms a singular look, unobstructed floor access, and are ideal when the floor cannot be penetrated.

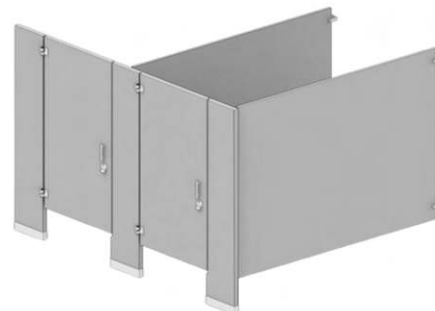
Mounting Shoe



Floor Mount

Floor mount partitions offer a sleek, low-profile design and adaptability for modern commercial restrooms with any ceiling configuration.

Mounting Shoe

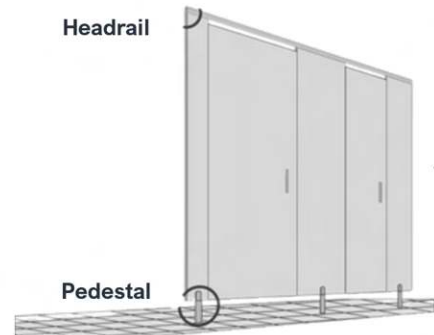


European Partitions

European mounting style combines elegance and stability, offering modern commercial restrooms the sleek strength of headrail and pedestal support.

Headrail

Pedestal

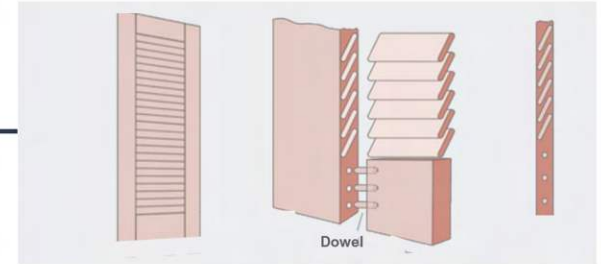


DESIGN OPTIONS



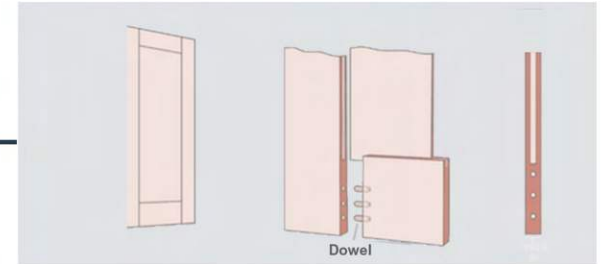
LOUVER

Louver doors offer a unique blend of style, privacy, and functionality. These doors provide enhanced airflow and a plantation-style appearance for distinctive commercial spaces.



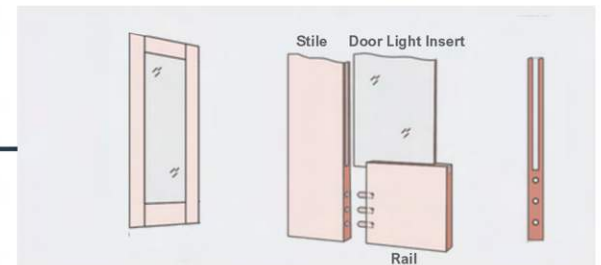
CAPTURED PANEL

Elevate your restroom aesthetics with captured panel doors, offering timeless, mission-style appeal for your commercial restroom space.



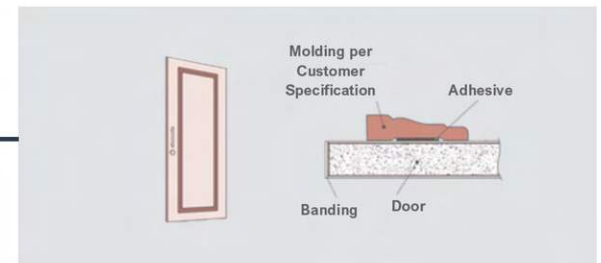
DOOR LITE PARTITIONS

Translucent glass panels integrated into door and partition systems create sophisticated bathroom spaces that harmonize visual appeal with functionality.



APPLIED MOLDING DOORS

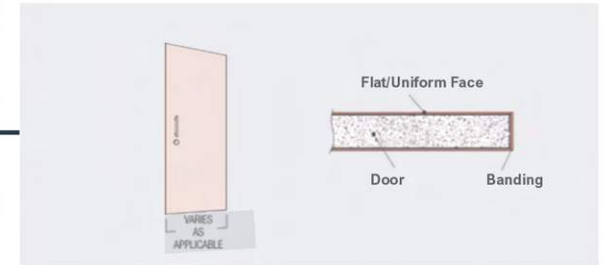
Design with applied molding doors to add sophistication and visual interest to your commercial restroom partitions. Molding doors are a cost-effective way to significantly upgrade your space.





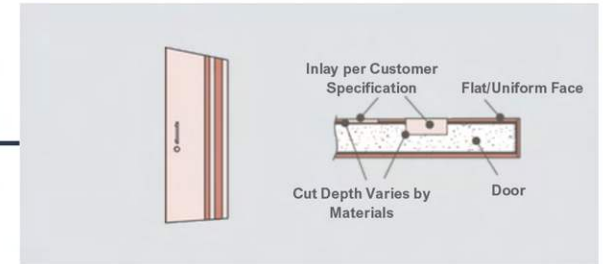
FLAT PANEL DOORS

Flat panel doors are available in a variety of materials, patterns, finishes, and sizes for commercial restroom spaces.



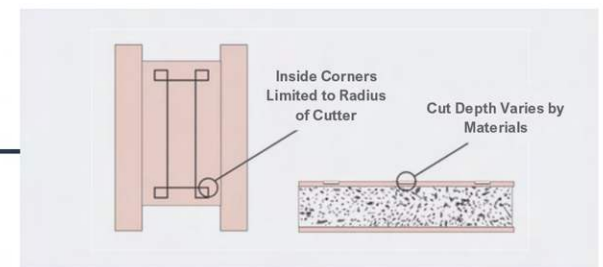
INLAY DOORS

Elevate your commercial restroom design with inlay doors, blending materials for a unique and sophisticated aesthetic.



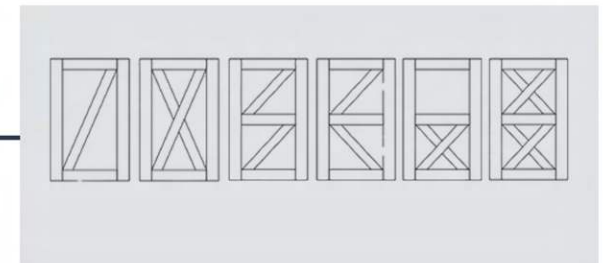
ENGRAVED DOORS

Engraved partition components combine custom design with functional durability, allowing patterns to be used to enhance restroom aesthetics.



BARN X

Rustic meets refined with distinctive X-brace designs, bringing farmhouse character and solid construction to any space while maintaining modern functionality.

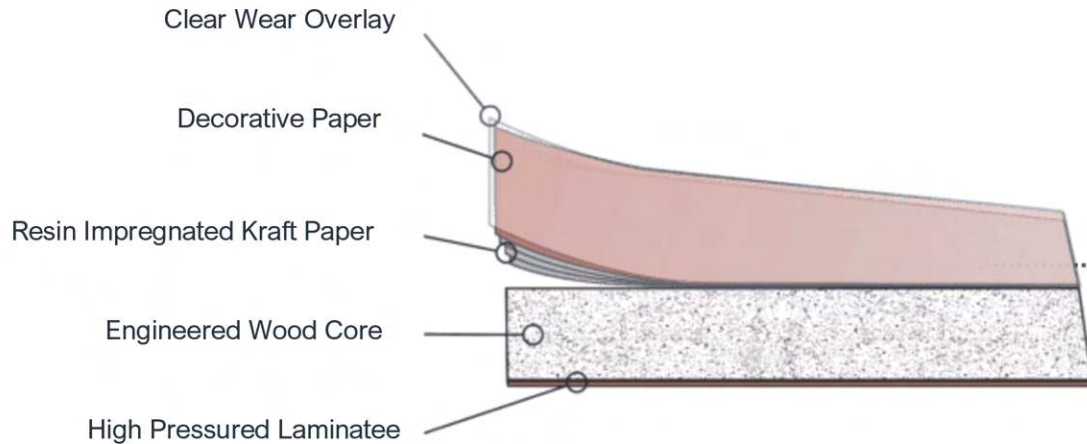


MATERIALS

HIGH PRESSURE LAMINATE

High Pressure Laminate (HPL) offers various finishes and patterns. With the shortest lead time and budget-friendly pricing, HPL is an excellent choice.

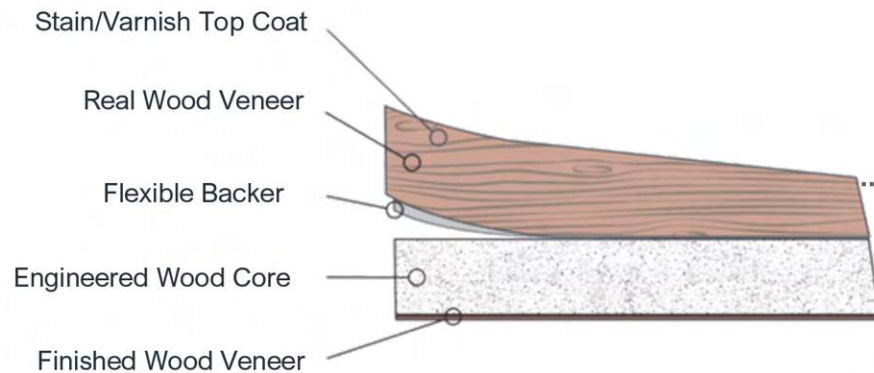
<p>What is High Pressure Laminate (HPL)?</p>	<p>A durable and versatile material composed of multiple layers: The Wear layer is an overlay which protects the decorative layer that is the actual design of the laminate, whether that be custom printed, woodgrain, pattern, or solid color. Behind these two front layers is 6 to 8 sheets of resin. Two of these sheets are adhered to an engineered core and then heat and pressure is applied to create a single component to be used in toilet partitions.</p>		
<p>Customizations</p>	<p>High Pressure Laminate components can be manufactured with full custom and semi-custom patterns and colors, including images.</p>		
<p>Optimal Installations</p>	<ul style="list-style-type: none"> • Restaurants • Retail Environments • Office Buildings • Fitness Centers 	<ul style="list-style-type: none"> • Country Clubs • Hotels • Cultural Centers 	<p>Considerations</p> <ul style="list-style-type: none"> • Versatile • Budget Friendly • Highly Customizable • Sustainable • Durable • Moisture Resistance • Low Maintenance



WOOD VENEER

Wood veneer brings warmth, sophistication, and a touch of nature to commercial restroom designs. Create stunning, high-end spaces that leave a lasting impression on visitors.

<p>What is Wood Veneer?</p>	<p>Wood veneer is a thin layer of real wood, typically 0.039" thick, adhered to both sides of an engineered wood core. This process allows for the beauty and variety of natural wood on the surface while the core material maintains the stability and consistency needed for toilet partition components. Unlike high pressure laminates, no two sheets of natural veneer look the same.</p>		
<p>Customizations</p>	<p>Species selection: Choose from a wide range of wood species, each with unique grain patterns and natural coloration. Cut options: Select from various veneer cuts (e.g., plain sliced, quarter sliced, rift cut) to achieve different visual effects. Matching techniques: Specify how veneer sheets are matched (e.g., book match, slip match) for desired aesthetics. Staining and finishing: Custom stain colors and finish types can be applied to achieve specific design goals. Inlays and patterns: Create unique designs by incorporating inlays or patterns using different wood species or cuts. Custom sizes: Partition components can be manufactured to custom sizes to fit specific space requirements. Hardware selection: Choose from various hardware options to complement the overall design aesthetic.</p>		
<p>Optimal Installations</p>	<ul style="list-style-type: none"> • High-End Offices • Hotels & Resorts • Wineries • Executive Areas 	<ul style="list-style-type: none"> • Upscale Restaurants • Country Clubs • Wedding Venues • Fine Arts Museums 	<p>Considerations</p> <ul style="list-style-type: none"> • Aesthetics • Budget Friendly • Highly Customizable • Sustainable • Durable • Moisture Resistance • Premium Pricing

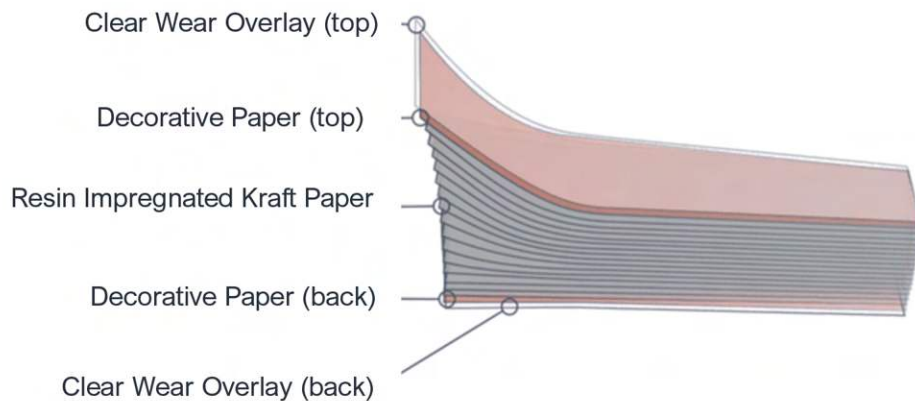


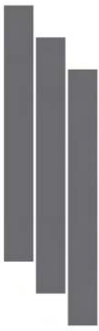
MATERIALS

COMPACT LAMINATE

When your commercial bathroom design requires moisture resistance, durability, privacy, and beauty, compact laminate is the right partition material for the job.

What is Compact Laminate (CPL)?	Compact Laminate is a durable material composed of layers of kraft paper treated with resin and fused together under high heat and pressure. The result is a solid panel offering exceptional resistance to moisture, impact, and wear, ensuring longevity and reliability in commercial restroom partitions.		
Customizations	Compact Laminate components can be manufactured with full custom and semi-custom patterns and colors, including images.		
Optimal Installations	<ul style="list-style-type: none"> • Schools & Universities • Fitness Centers • Government Buildings • Correctional Facilities 	<ul style="list-style-type: none"> • Cultural Centers • Stadiums & Arenas • Military Facilities • Aquatic Centers 	Considerations <ul style="list-style-type: none"> • 15 Yr Warranty • Extremely Durable • Highly Customizable • Color Coordinated Banding • High Moisture Resistance • Available in High Privacy





ENGINEERED STONE

Engineered stone, often referred to as quartz, combines elegance and resilience to create stunning, long-lasting commercial restroom partitions.

What is Engineered Stone?	Engineered stone is primarily composed of ground natural quartz, which is blended with polymer resins, pigments, and other carefully selected materials. The mixture is then formed into slabs using high pressure and heat. The result is a durable and non-porous surface that boasts natural looking, consistent color, and pattern throughout, making it an ideal choice for designers seeking both aesthetic appeal and practical performance in commercial restroom environments.		
Customizations	Engineered stone is polished, providing a high-gloss finish that enhances color and pattern.		
Optimal Installations	<ul style="list-style-type: none">• Luxury Hotels• Retail Spaces• High-End Offices• Fine Arts Museums	<ul style="list-style-type: none">• Upscale Restaurants• Spas/Retreats	Considerations <ul style="list-style-type: none">• Aesthetics• Low Maintenance• Heavy• Premium pricing <ul style="list-style-type: none">• Extremely Durable• High Moisture Resistance



HARDWARE

STANDARD HARDWARE PACKAGE

Type 304 stainless steel hardware provides corrosion resistance and workability. Parts are sheared, formed, welded, and brushed to a #4 finish. This package provides cost-effective installation with minimal gaps.



HARDWARE MATERIALS AND FINISHES



Stamped Stainless

- Brushed Nickel
- Highest strength and holding



Cast Stainless Steel

- Brushed Nickel
- High strength and holding



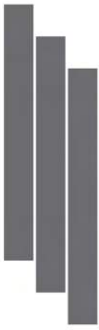
Powder Coated

- May increase lead time
- Zamac cannot be powder coated



Zamac

- Plated, Polished, Bright, Shiny Silver (Chrome)
- Not to be used with CPL, Stone or Solid Surface
- Cannot be powder coated



OPTIONS

Hardware options include modern pull handles in various finishes, institutional pulls, and ADA-compliant designs. Most hardware can be powder-coated to match or complement partition finishes. Durable stainless steel brackets and door stops complete our premium hardware selection.

Continuous Hardware	Robust type 304 stainless steel construction offers superior corrosion resistance and durability. Continuous hardware enhances privacy and stability. Low-maintenance, institutional-grade hardware provides long-lasting performance for high-traffic commercial restrooms.
Hinges	<ul style="list-style-type: none">• Continuous - adds privacy, and durability, and requires minimal maintenance• Vault - designed to handle significant weight and resist tampering• Inset - recessed hinge is installed within mortises cut into both door and frame
Colors	Powder Coating - Cardinal Paint's color chart features a diverse range of industrial finishes including metallics and standard gloss colors across blacks, whites, grays, reds, blues, yellows, browns, and greens, with various gloss levels (from flat to 90% gloss) and specialty finishes. Powder coating can only be done on Stainless Steel hardware.
Custom Hardware	<ul style="list-style-type: none">• Commonly requested - coat hooks, dummy levers.• Ironwood can accommodate most commercially available hardware options, given the opportunity to test for fit and function.



ADDITIONAL PRODUCT OFFERINGS



URINAL SCREENS

- Elevate your space with our versatile height options perfectly harmonizing with any partition design
- Experience unparalleled privacy
- Transform any layout with our adaptable width selections

SHOWER STALLS

- Transform your facility with our premium shower stalls, engineered for lasting elegance
- Experience superior privacy with precise panel alignment and secure fastenings
- Choose from a variety of materials
- Install with confidence using our professional-grade hardware systems



INTRODUCING THE IRONWOOD CONFIGURATOR

Why Use the Configurator Tool?

- Plentiful options for design: Tailor bathroom partitions to fit your project requirements, including dimensions, materials, styles, and finishes.
- Instant Visualization: See your designs come to life in real-time with our intuitive interface and resources.
- Streamlined for specification: generate cutsheets and tech data instantly for use in your project.
- Ease of Use: Designed with user-friendly navigation and simple steps, even first-time users can confidently create designs.

Key Features

- Material Selection: Choose from a variety of high-quality materials, including compact laminate, engineered stone, high pressure laminate, and wood veneer.
- Design Options: Customize door, pilaster, and panel configurations to match project needs.
- LEED-Compliant Choices: Select environmentally friendly materials to meet sustainability goals.
- Downloadable Specs: Get detailed spec sheets and other resources.
- Accessible Anywhere: Use the configurator on any device with an internet connection.

How It Works

- Create Your Design: Select materials, customize dimensions, and add features.
- Review & Adjust: View a 3D model of your design and make any necessary changes.
- Download & Share: Generate detailed specifications and quote requests.

Get Started Today Experience the power of the Ironwood Configurator Tool and transform the way you approach bathroom partitions. Scan the QR Code or Visit: app.ironwood-mfg.com/configurator



1. Materials

PLEASE SELECT...

2. Door Style

PLEASE SELECT... 

3. Door/Panel Height

PLEASE SELECT... 

4. Edge Condition

PLEASE SELECT... 

5. Mounting Style

PLEASE SELECT... 

6. Hardware

PLEASE SELECT... 



ABOUT IRONWOOD MANUFACTURING

For over five decades, every Ironwood project has been meticulously handcrafted in our dedicated facility in Washington State. Our craftspeople blend time-honored woodworking techniques with cutting-edge manufacturing, ensuring each piece meets our exacting standards. Sourcing premium materials from trusted suppliers, we take pride in supporting domestic industries while delivering exceptional value to our clients.

Our commitment to quality extends beyond our products to our environment, implementing sustainable practices and minimizing waste through efficient material usage. Every partition and screen is crafted not just to meet specifications, but to exceed expectations—delivering the perfect balance of durability, aesthetics, and functionality that has made Ironwood a trusted name in architectural solutions.